

## Carrier\_BT807042\_SOIC-8\_V

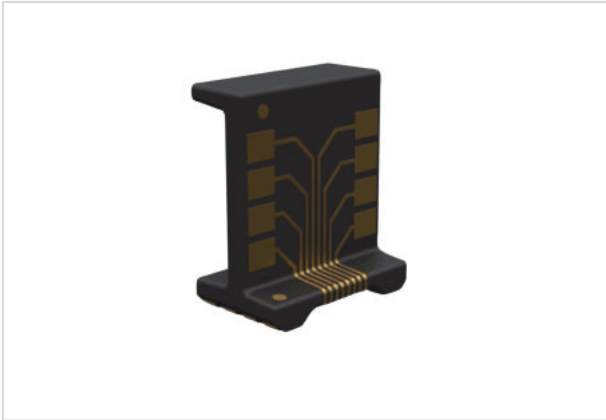


Image is for illustration purposes only. Please refer to product description.

Part number	78 01 030 0004
Specification	Carrier_BT807042_SOIC-8_V
HARTING eCatalogue	<a href="https://b2b.harting.com/78010300004">https://b2b.harting.com/78010300004</a>

### Identification

Category	Surface Mount Device
Series	3D-MID
Element	Carrier for electronic components
Specification	Interconnection
Features	Other materials or trace layouts on request!

### Version

Fixing	PCB assembly (SMD)
Pack contents	Tape & reel 1200 pieces on reel Lower quantities available on request!

### Technical characteristics

Operating temperature	-40 ... +125 °C
Storage temperature	-40 ... +125 °C

### Material properties

Material	Liquid crystal polymer (LCP)
Surface (contacts)	Au ( $\geq 0.05 \mu\text{m}$ ) over Ni ( $\geq 4 \mu\text{m}$ ) over Cu (5...11 $\mu\text{m}$ )
Length	8 mm
Width	7 mm
Height	4.2 mm

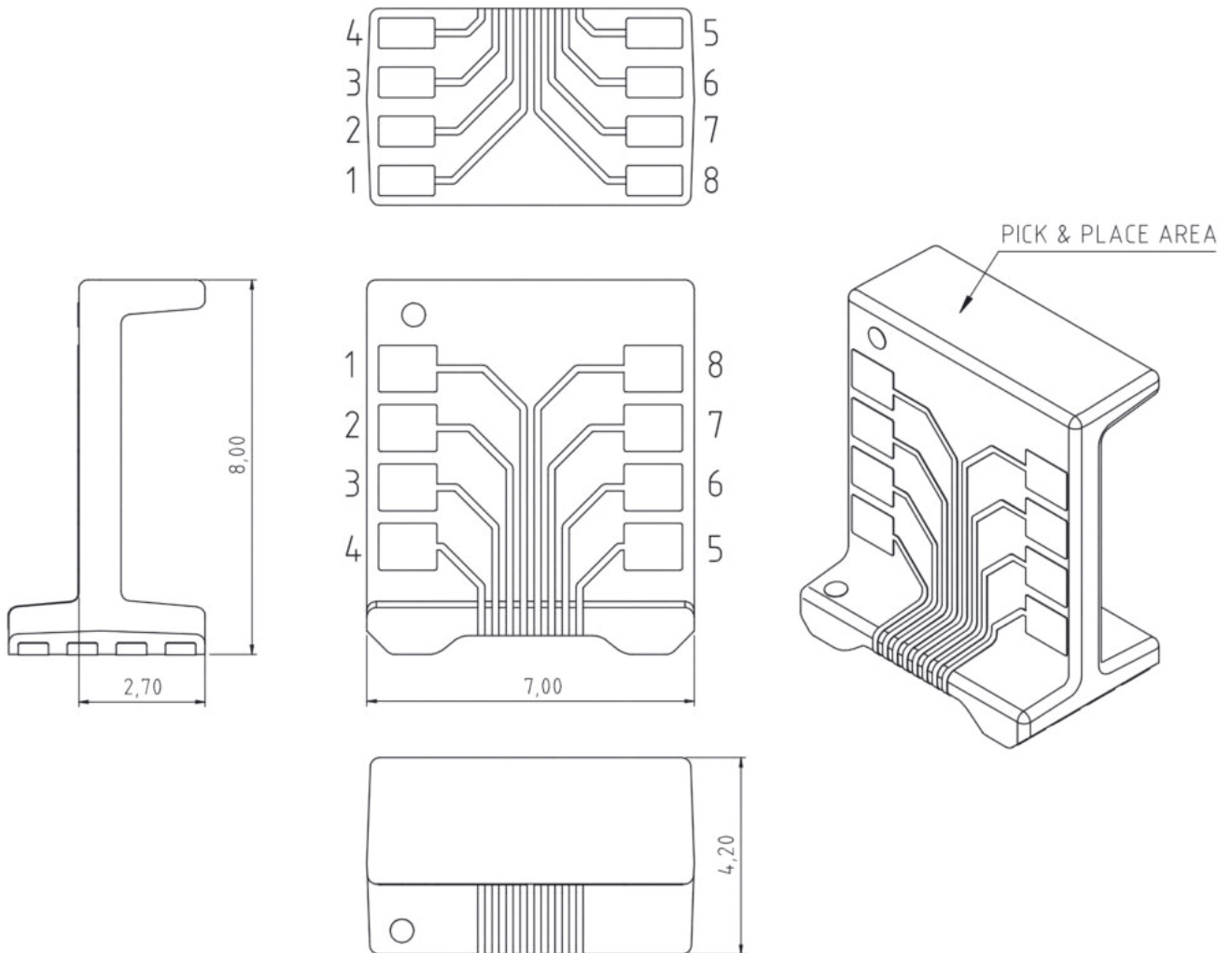
## Commercial data

Packaging size	1
Country of origin	Switzerland
European customs tariff number	85340019
eCl@ss	27469090 PCB connection technology (other, unspecified)

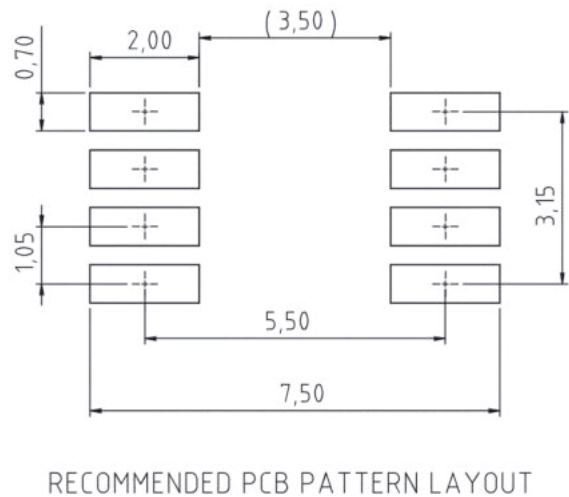
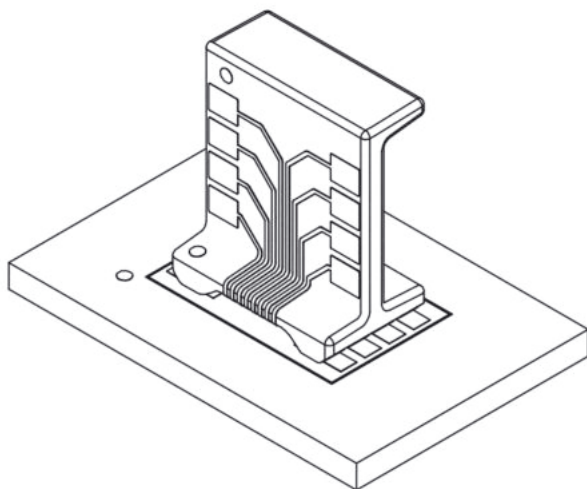
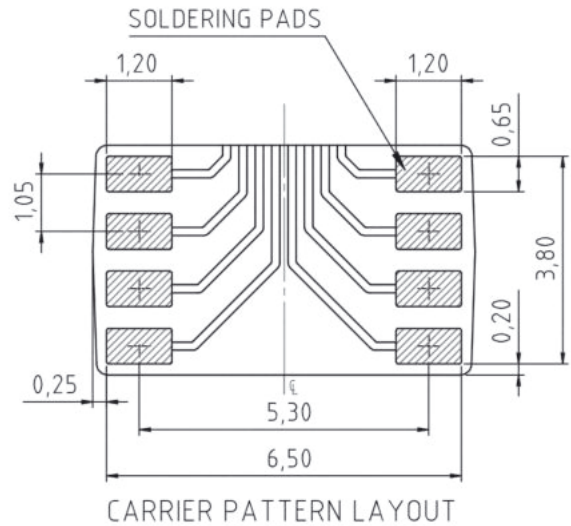
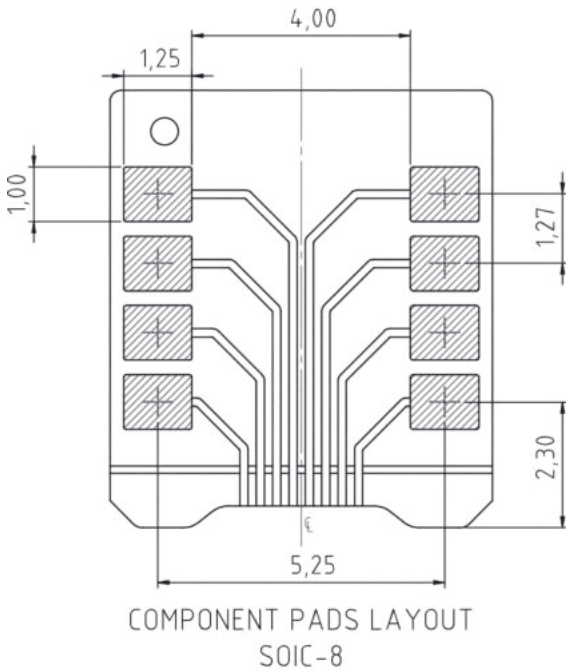
Other materials or trace layouts on request!



Drawing (dimensions in mm)



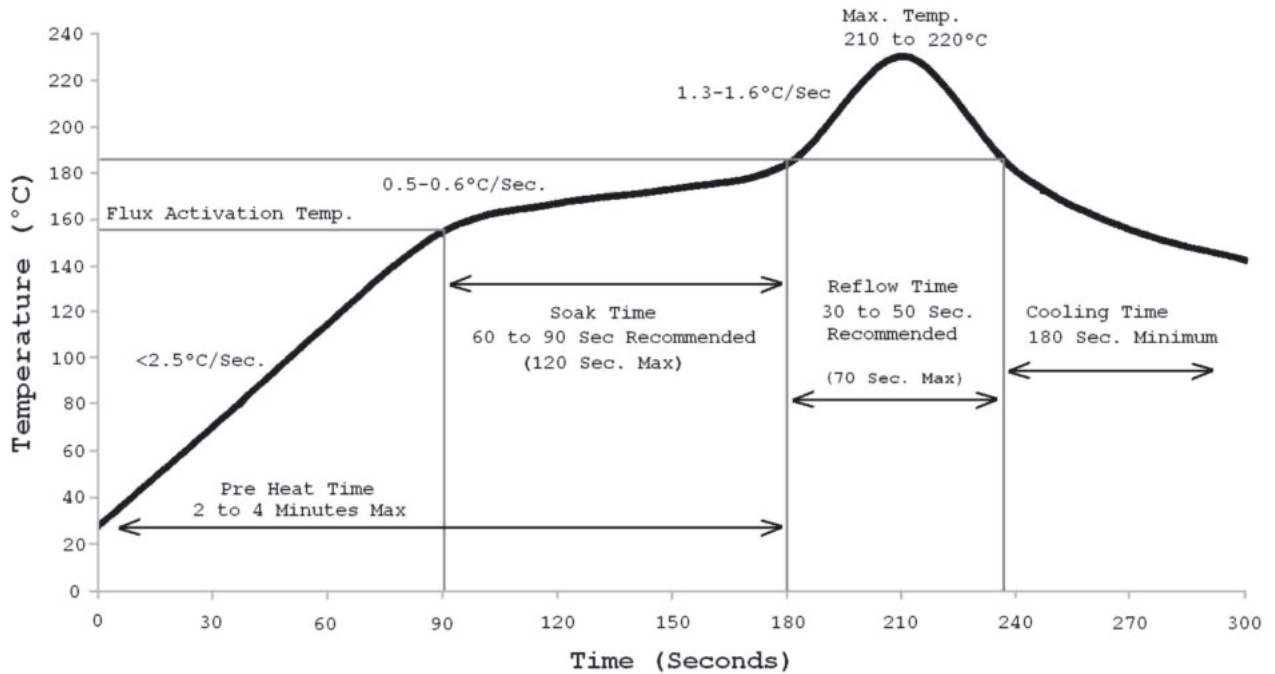
Drawing (dimensions in mm)



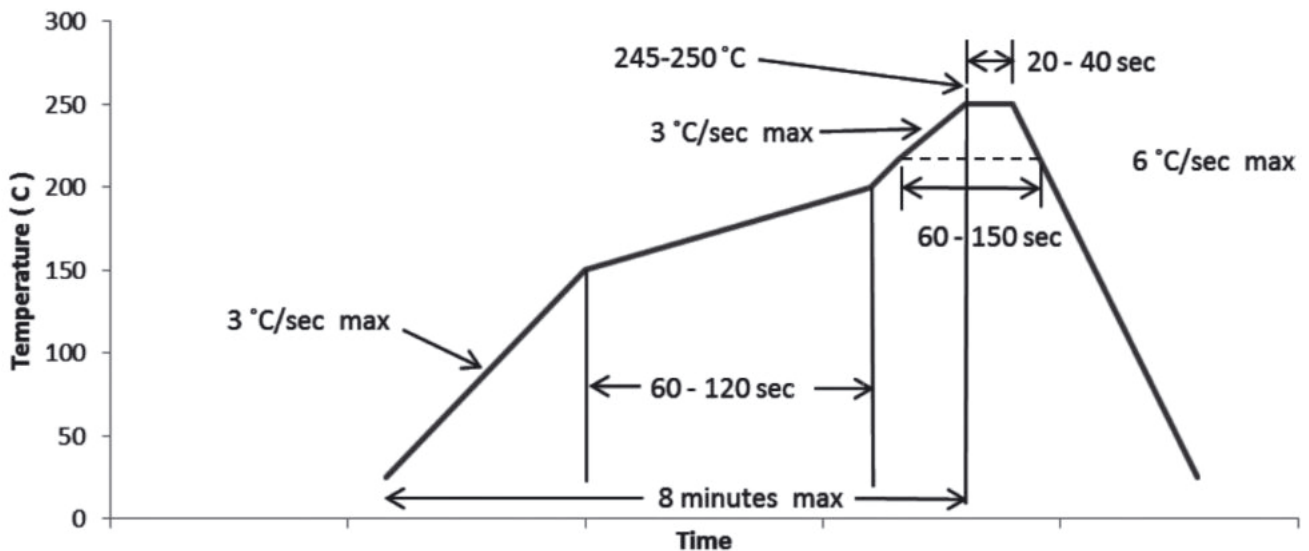


Pushing Performance

Soldering instructions



PB-free soldering profile (J-STD-020C)

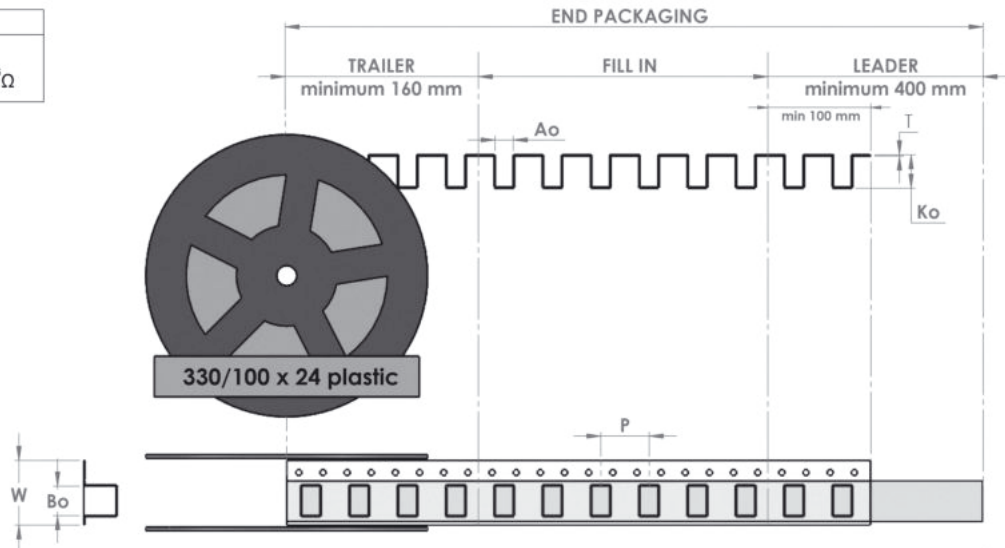



Tape layout & packaging

**BT807042**

MATERIAL	
PS Conductive Black	
surface resistance $10^7 \Omega - 10^5 \Omega$	

DIMENSIONS	
W	= 24 mm
P	= 12 mm
T	= 0,5 mm
Ao	= 4,5 mm
Bo	= 7,3 mm
Ko	= 8,3 mm
TRAILER 14 cvt	
FILL IN 600 pcs	
LEADER 34 cvt	



PACKING				
		REEL	BOX	PALLET
LENGTH		23m	230m	2,760 m
CAVITIES		1917 cvt	19170 cavities	230040 cavities
PARTS		1200 pcs [2x600]	12000 pcs	144000 pcs
WEIGHT		0,65kg	7,85 kg	109,18 kg
QTY		Single Reel	10 reels/box	12 boxes/pallet
DIMENSION		560/76 x 24 cardboard	39 x 58 x 58 [cm]	80 x 120 x 190 [cm]